

Dimmer & Programmable Controller

Applications:

- Commercial & industrial buildings
- Agricultural buildings
- Horticultural buildings
- Event setting

General Information: Dimmer

- Dimming unit manual with 0 – 10V input
- Single channel
- Dimmable 2% - 100%
- Compatible with leading & trailing edge
- Compatible with incandescent, LED and fluorescent
- Soft lamp start
- IP20
- Acrylic enclosure
- Surface mounted

Technical Information: Dimmer

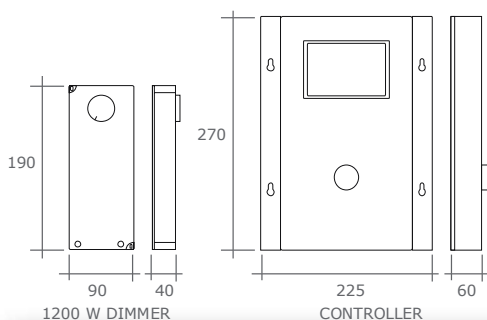
- Input 220 - 240 Vac 50Hz
- Output 220 - 240 Vac 50Hz
- Output load 1200 watts
- Operating temperature -15°C to +50°C
- Power Factor => 0.97
- Dimensions (1200W) 90 x 190 x 40mm

General Information: Controller

- Programmable via display
- 24 hour clock
- Single channel output
- 4 default mode settings
- 5 manual mode settings
- 24 ramp and dim modes per mode setting
- Dimming control: 0 - 10V
- Soft lamp start
- IP20
- Steel enclosure
- Surface mount

Technical Information: Controller

- Input 220 - 240 Vac 50Hz
- Single output channel 0 – 10V
- Operating temperature -15°C to +50°C
- Dimensions 225x 270 x 60mm



Leading and trailing edge Triac Dimmer with programmable controller with sunset and sunrise settings.

Dimmer & Programmable Controller

Product Code	Description
LSL SLEC D1200	Dimming unit 1200W output
LSL SLEC P 1CH	Programmable controller, single channel 0 – 10V output

LSLCo UK Ltd.

Unit 13, Hazeley Enterprise Park, Hazeley Road, Twyford, Winchester. SO21 1QA, U.K.

Tel: +44 (0)1962 600 136 Web: www.lslco.co.uk Email: office.admin@lslco.co.uk